



PAT McCrory
Governor
NICHOLAS J. TENNYSON
Secretary

March 9, 2016

To: Prospective Bidders

From: Lloyd G. Royall, Jr.
Division Proposals Engineer

DocuSigned by:
Lloyd G. Royall, Jr
8418B7231C1F4AE...

Contract ID#: DC00126

WBS Element: 45333.3.FD10

TIP#: W-5203J

- **Subject: Addendum #1** River Road Round-A-Bout

The Subject contract proposal contains the following addendum:

- 1- Remove and Replace the three (3) attached Plan Sheets
- 2- Remove and Replace the bid form with the Attached Bid Form revised on 3-9-2016.

Addendum must be signed and dated.

You MUST sign as your acknowledgement that you did in fact receive this addendum. Failure to do so shall cause the bid to be considered irregular and shall be grounds for rejection of the bid.

Signature _____ **Date** _____

LGR/lgr



North Carolina Department of Transportation

PURCHASE ORDER CONTRACT BID FORM

WBS Number: 45333.3.FD10

**Grading, Drainage, and Paving for Roundabout Construction
in New Hanover County**

ITEM	DESC	SECT	DESCRIPTION	QTY	UNIT	UNIT PRICE	AMOUNT BID
1	0000100000-N	800	Mobilization	1	LS		
2	0000400000-N	801	Construction Surveying	1	LS		
3	0050000000-E	226	Supplementary Clearing and Grubbing	1.0	AC		
4	0057000000-E	226	Undercut Excavation	500	CY		
5	0063000000-N	226	Grading	1	LS		
6	0134000000-E	240	Drainage Ditch Excavation	20	CY		
7	0195000000-E	265	Select Granular Material	500	CY		
8	0196000000-E	270	Geotextile for Soil Stablization	500	SY		
9	0318000000-E	300	Foundation Cond.Mat, Minor Strs	120	TN		
10	0320000000-E	300	Foundation Cond. Fabric	350	SY		
11	0448200000-E	310	15" RC Pipe Culv, Class IV	1,016	LF		
12	0448400000-E	310	24" RC Pipe Culv, Class IV	32	LF		
13	0453000000-E	310	15" Pipe End Section	1	Each		
14	1297000000-E	607	Milling Asphalt Pavement, 1.5"	830	SY		
15	1489000000-E	610	Base Course, Type B25.0B	1,040	TN		
16	1498000000-E	610	Intermediate Course, Type I19.0B	890	TN		
17	1519000000-E	610	Surface Course, Type S9.5B	990	TN		
18	1575000000-E	620	AsphBinder for Plant Mix PG64-22	150	TN		
19	2022000000-E	815	Subdrain Excavation	336	CY		
20	2026000000-E	815	Geotextile for Subsurface Drains	1,500	SY		
21	2036000000-E	815	Subdrain Course Aggregate	252	CY		
22	2044000000-E	815	6" Perforated Subdrain Pipe	1,500	LF		
23	2070000000-N	815	Subdrain Pipe Outlet	3	Each		
24	2077000000-E	815	6" Outlet Pipe	18	LF		

ITEM	DESC	SECT	DESCRIPTION	QTY	UNIT	UNIT PRICE	AMOUNT BID
25	2190000000-N	828	Temp. Stl Plate cover for MDS	4	Each		
26	2286000000-N	840	Masonry Drainage Structures	16	Each		
27	2308000000-E	840	Masonry Drainage Structures	5	LF		
28	2365000000-N	840	Frame with two grates, STD 840.22	5	Each		
29	2374000000-N	840	Frame with grate & hood, STD 840.03, type E	4	Each		
30	2374000000-N	840	Frame with grate & hood, STD 840.03, type F	2	Each		
31	2374000000-N	840	Frame with grate & hood, STD 840.03, type G	4	Each		
32	2400700000-N	840	Steel Frame with two grates, STD. 840.37	1	Each		
33	2535000000-E	846	9"x18" Concrete Curb	380	LF		
34	2542000000-E	846	1'-6" concrete curb and gutter	1,360	LF		
35	2549000000-E	846	2'-6" concrete curb and gutter	1,040	LF		
36	2647000000-E	852	5" Mono. Concrete islands (surface mounted)	180	SY		
37	2657000000-E	852	Mountable Monolithic Concrete Median	450	SY		
38	3649000000-E	876	Plain Rip Rap, Class B	7	TN		
39	3656000000-E	876	Geotextile for Drainage	21	SY		
40	4026000000-E	901	Department furnished, Type E Sign	120	SF		
41	4072000000-E	903	Supports, 3 lb Steel U-Channel	260	LF		
42	4102000000-N	904	Sign Erection, Type E	32	Each		
43	4155000000-N	907	Disposal of Sign System, U-Channel	10	Each		
44	4400000000-E	1110	Work Zone Signs (Stat)	387	SF		
45	4405000000-E	1110	Work Zone Signs (Port)	310	SF		
46	4410000000-E	1110	Work Zone Signs (Barr)	153	SF		
47	4420000000-N	1120	Portable Changeable Message Sign	3	Each		
48	4430000000-N	1130	Drums	75	Each		
49	4435000000-N	1135	Cones	50	Each		
50	4445000000-E	1145	Barricades (type III)	168	LF		
51	4455000000-N	1150	Flagger (by day)	186	DAY		

ITEM	DESC	SECT	DESCRIPTION	QTY	UNIT	UNIT PRICE	AMOUNT BID
52	4516000000-N	1180	Skinny Drum	50	Each		
53	4685000000-E	1205	Thermoplastic Pavement Marking lines (4", 90 mils)	3,879	LF		
54	4686000000-E	1205	Thermoplastic Pavement Marking lines (4", 120 mils)	2,572	LF		
55	4695000000-E	1205	Thermoplastic Pavement Marking lines (8", 90 mils)	120	LF		
56	4721000000-E	1205	Thermoplastic Pavement Marking Character (120 mils)	32	Each		
57	4725000000-E	1205	Thermoplastic Pavement Marking Character (90 mils)	26	Each		
58	4810000000-E	1205	Paint Pavement Marking (4")	32,747	LF		
59	4820000000-E	1205	Paint Pavement Marking (8")	120	LF		
60	4850000000-E	1205	Removal of Pavement Marking (4")	3,630	LF		
61	4900000000-N	1251	Permanent Paise Pavement Markers	40	Each		
62	5691400000-E	1520	10" Force Main Sewer	486	LF		
63	5691500000-E	1520	12" Sanitary Gravity Sewer	65	LF		
64	5775000000-E	1525	4' Dia Utility Manhole	1	EA		
65	5776000000-E	1525	5' Dia Utility Manhole	1	EA		
66	5781000000-E	1525	Utility Manhole Wall, 4' Dia	3.20	LF		
67	5782000000-E	1525	Utility Manhole Wall, 5' Dia	4.60	LF		
68	5801000000-E	1530	Abandon 8" Utility Pipe	73	LF		
69	5802000000-E	1530	Abandon 10" Utility Pipe	439	LF		
70	5804000000-E	1530	Abandon 12" Utility Pipe	50	LF		
71	5828000000-N	1530	Remove Utility Manhole	2	EA		
72	5835900000-E	1540	20" Encasement Pipe	70	LF		
73	6000000000-E	1605	Temporary silt fence	1,610	LF		
74	6009000000-E	1610	Erosion Control Stone, Class B	50	TN		
75	6012000000-E	1610	Sediment Control Stone	105	TN		
76	6015000000-E	1615	Temporary Mulching	2.50	AC		
77	6018000000-E	1620	Seed for Temporary Seeding	200.00	LB		

ITEM	DESC	SECT	DESCRIPTION	QTY	UNIT	UNIT PRICE	AMOUNT BID
78	6021000000-E	1620	Fertilizer for Temporary Seeding	1.00	TN		
79	6024000000-E	1622	Temporary Slope Drains	200	LF		
80	6030000000-E	1630	Silt Excavation	40	CY		
81	6042000000-E	1632	1/4" Hardware cloth	400	LF		
82	6071012000-E	SP	Coir Fiber Wattle	150	LF		
83	6071020000-E	SP	Polyacrylamide (PAM)	15	LB		
84	6084000000-E	1660	Seed and mulching	3	AC		
85	6087000000-E	1660	Mowing	3	AC		
86	6090000000-E	1661	Seed for Repair Seeding	50.00	LB		
87	6093000000-E	1661	Fertilizer for Repair Seeding	0.25	TN		
88	6096000000-E	1662	Seed for Supplemental Seeding	75.00	LB		
89	6108000000-E	1665	Fertilizer Topdressing	2.00	TN		
90	6114500000-E	1667	Specialized Hand Mowing	10.00	MHR		
91	6117000000-E	SP	Response for Erosion control	13.00	Each		

TOTAL BID FOR PROJECT: _____

CONTRACTOR _____

ADDRESS _____

Federal Identification Number _____

Contractors License Number _____

Authorized Agent _____

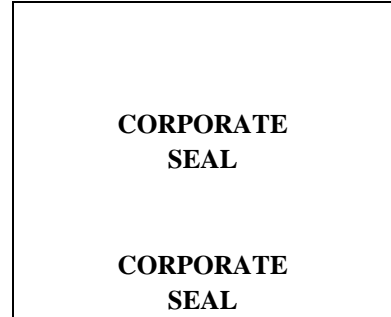
Title _____

Signature _____

Date _____

Witness _____ Title _____

Signature _____ Date _____



Point of Contact for Post-Bid Inquires (e.g., Letters of Intent, Insurance, Bonds, and Contract Execution)

Name _____

Email _____

Phone _____

**THIS SECTION TO BE COMPLETED BY NORTH CAROLINA DEPARTMENT OF
TRANSPORTATION**

This bid has been reviewed in accordance with Article 103-1 of the Standard Specifications for Roads and Structures 2012.

Reviewed by NCDOT _____ *Date* _____


Accepted by NCDOT _____ *Date* _____

8/17/99

PAVEMENT SCHEDULE

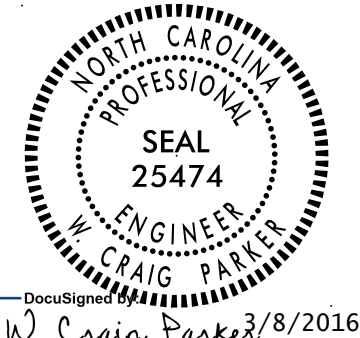
A1	10" MOUNTABLE CONCRETE MEDIAN	R1	PROPOSED 2'-6" CONCRETE CURB & GUTTER
C1	PROP. APPROX. 1 1/2" ASPHALT CONCRETE SURFACE COURSE, TYPE S9.5B, AT AN AVERAGE RATE OF 168 LBS. PER SQ. YD.	R2	PROPOSED 1'-6" CONCRETE CURB & GUTTER
C2	PROP. APPROX. 3" ASPHALT CONCRETE SURFACE COURSE, TYPE S9.5B, AT AN AVERAGE RATE OF 168 LBS. PER SQ. YD. IN EACH OF TWO LAYERS.	R3	9" X 18" CONCRETE CURB
C3	PROP. APPROX. 2" ASPHALT CONCRETE SURFACE COURSE, TYPE S9.5B, AT AN AVERAGE RATE OF 224 LBS. PER SQ. YD.	R4	5" MONOLITHIC CONCRETE ISLAND (SURFACE MOUNTED)
C4	PROP. VAR. DEPTH ASPHALT CONCRETE SURFACE COURSE, TYPE S9.5B, AT AN AVERAGE RATE OF 112 LBS. PER SQ. YD. PER 1" DEPTH TO BE PLACED IN LAYERS NOT LESS THAN 1 1/2" IN DEPTH NOR GREATER THAN 2" IN DEPTH.	T	EARTH MATERIAL.
D1	PROP. APPROX. 4" ASPHALT CONCRETE INTERMEDIATE COURSE, TYPE I19.0B, AT AN AVERAGE RATE OF 456 LBS. PER SQ. YD.	U	EXISTING PAVEMENT.
D2	PROP. VAR. DEPTH ASPHALT CONCRETE INTERMEDIATE COURSE, TYPE I19.0B, AT AN AVERAGE RATE OF 114 LBS. PER SQ. YD. PER 1" DEPTH, TO BE PLACED IN LAYERS NOT LESS THAN 2 1/2" IN DEPTH OR GREATER THAN 4" IN DEPTH.	V	MILLING EXISTING PAVEMENT - 1 1/2" DEPTH
E1	PROP. APPROX. 4" ASPHALT CONCRETE BASE COURSE, TYPE B25.0B, AT AN AVERAGE RATE OF 456 LBS. PER SQ. YD.	W	WEDGING EXISTING PAVEMENT - SEE WEDGING DETAIL, THIS SHEET
E2	PROP. VAR. DEPTH ASPHALT CONCRETE BASE COURSE, TYPE B25.0B, AT AN AVERAGE RATE OF 114 LBS. PER SQ. YD. PER 1" DEPTH. TO BE PLACED IN LAYERS NOT LESS THAN 3" IN DEPTH OR GREATER THAN 5 1/2" IN DEPTH.		

NOTE: PAVEMENT EDGE SLOPES ARE 1:1 UNLESS SHOWN OTHERWISE.



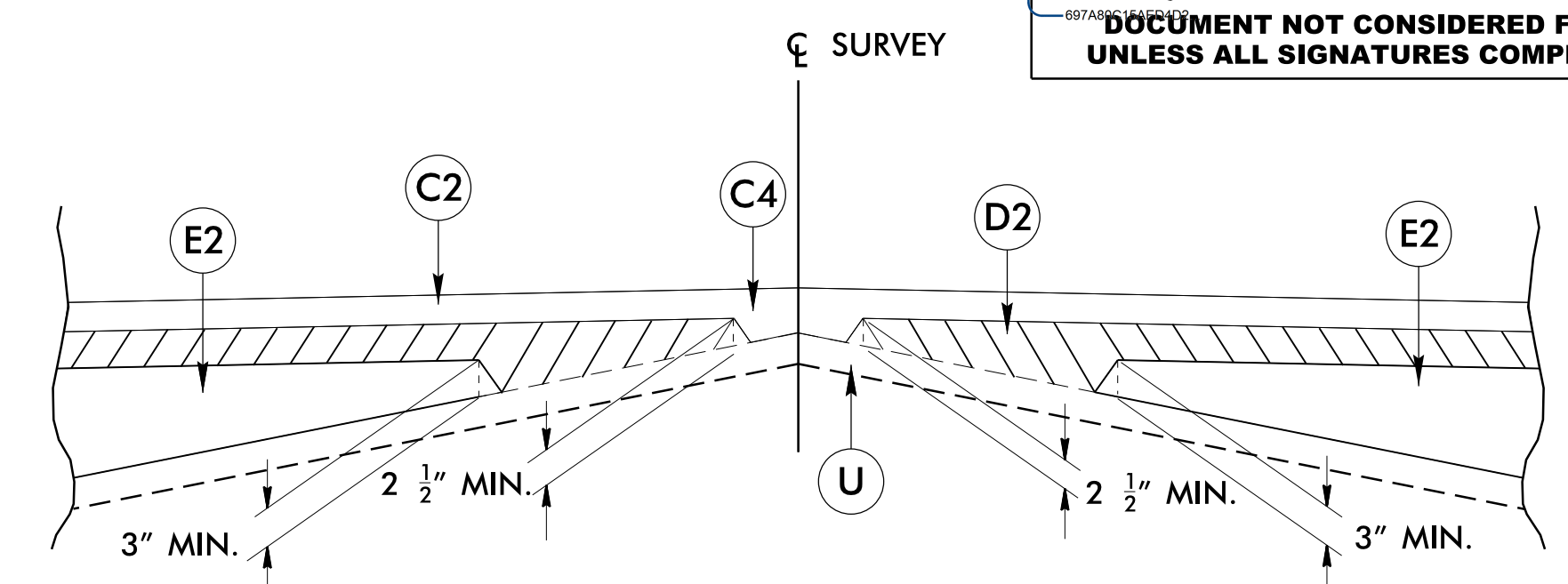
HNTB NORTH CAROLINA, P.C.
343 E. Six Forks Road, Suite 200
Raleigh, North Carolina 27609
NC License No: C-1554

PROJECT REFERENCE NO. W-5203J	SHEET NO. 2A-1
RW SHEET NO.	
ROADWAY DESIGN ENGINEER	PAVEMENT DESIGN ENGINEER

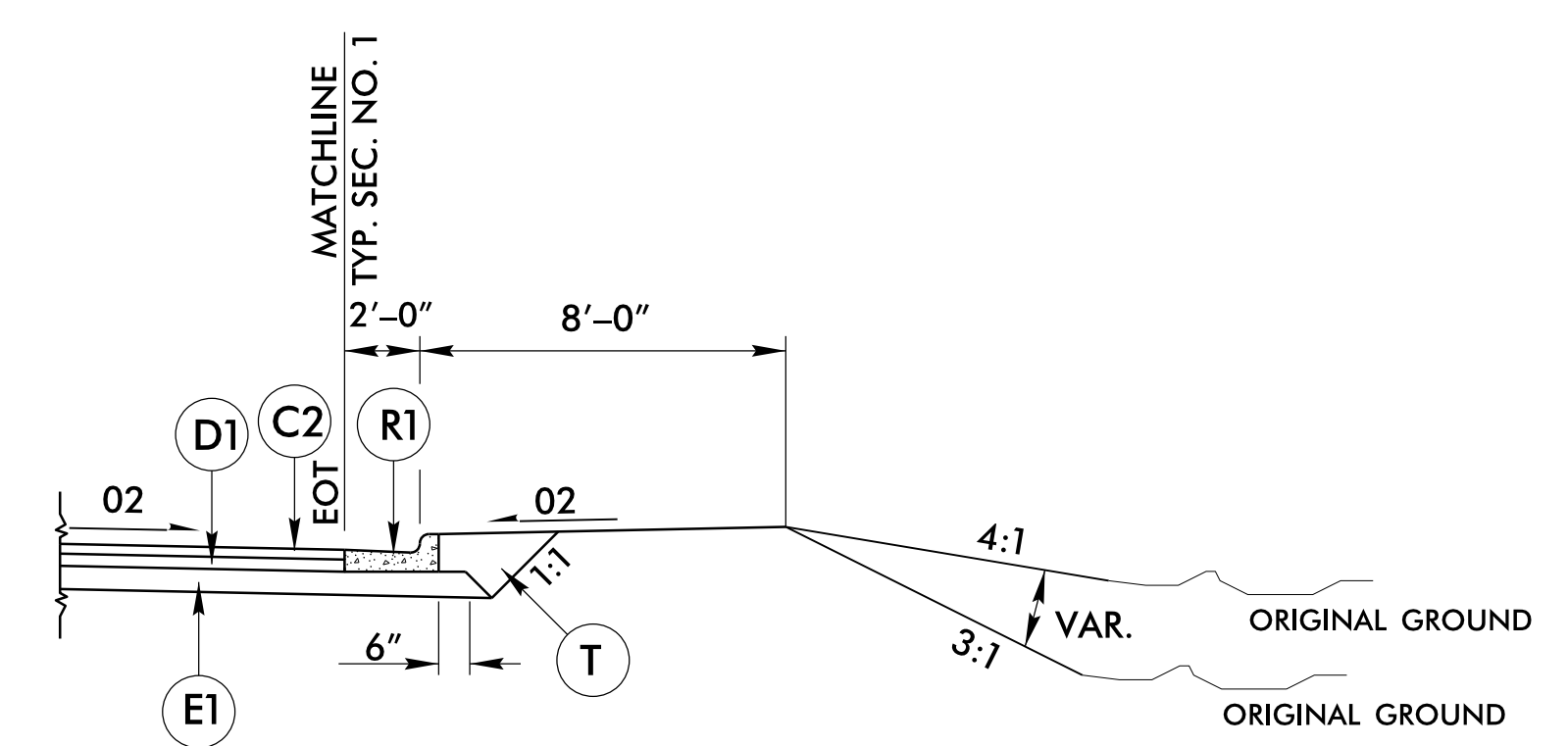


W. Craig Parker 8/2016

DOCUMENT NOT CONSIDERED FINAL
UNLESS ALL SIGNATURES COMPLETED



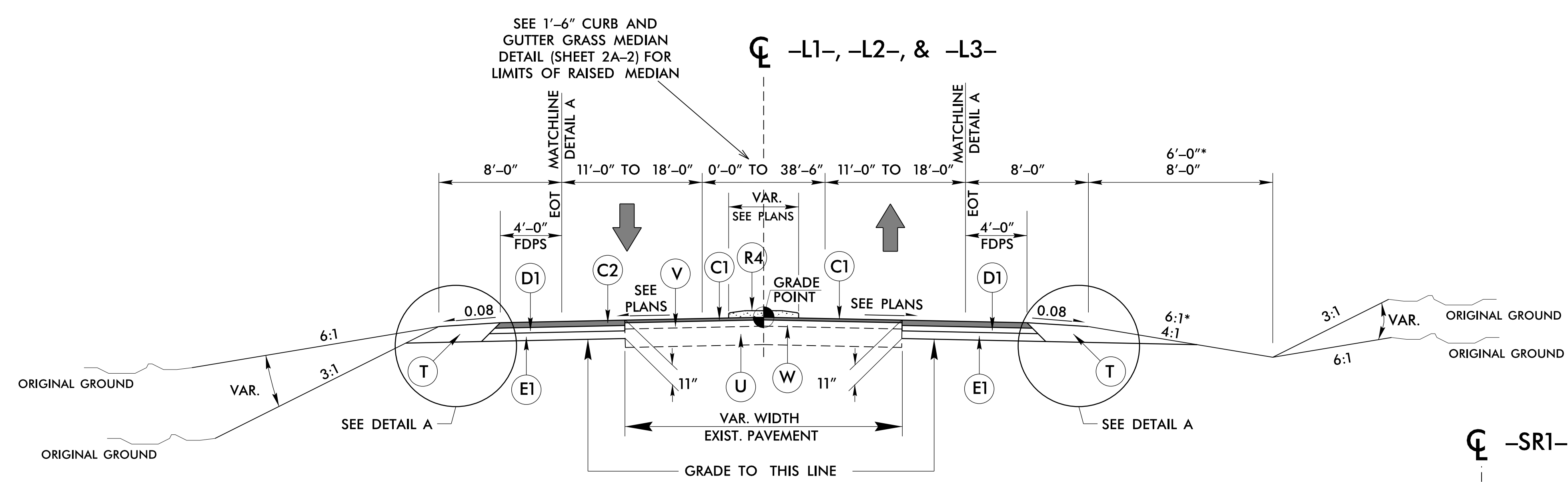
Detail Showing Method of Wedging



DETAIL A

USE DETAIL A IN CONJUNCTION WITH TYPICAL SECTION NO. 1

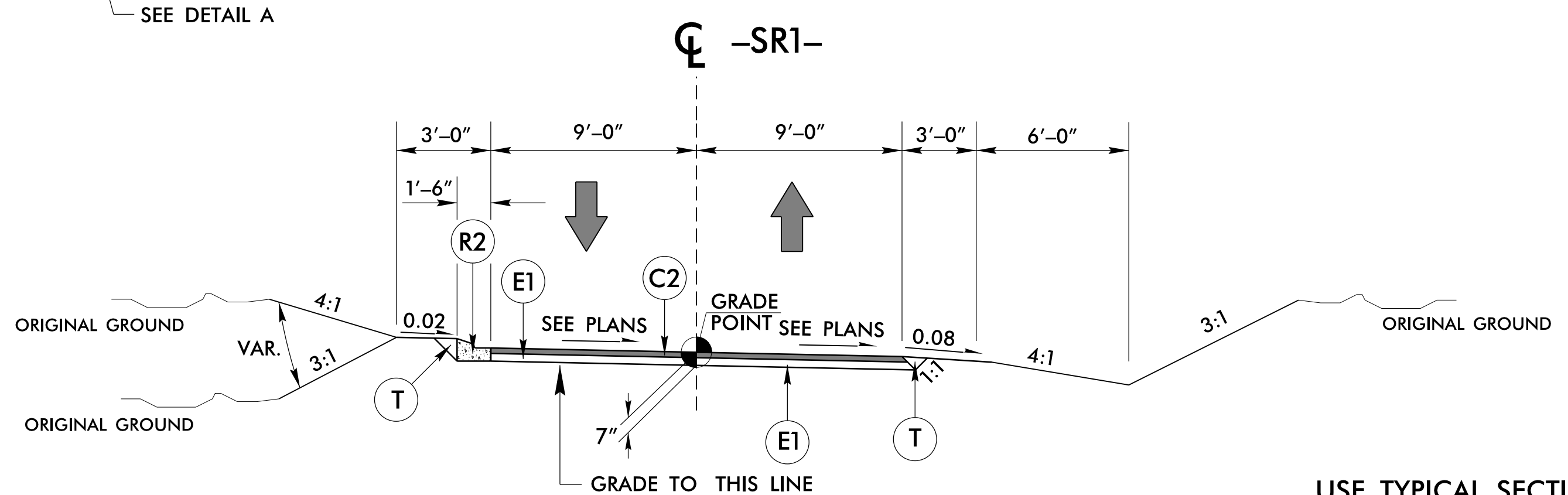
- L1- Sta. 16+10.00 RT to -L1- Sta. 17+24.51 RT.
- L1- Sta. 17+79.20 RT to -L3- Sta. 11+93.73 RT.
- L1- Sta. 17+37.06 LT to -L2- Sta. 12+00.11 LT.
- L2- Sta. 11+00+/- RT to -L2- Sta. 11+89.26 RT.
- L3- Sta. 10+98+/- LT to -L3- Sta. 11+79.48 LT.



TYPICAL SECTION NO. 1

NOTE: SEE INTERSECTION DETAIL 2B-1 FOR MONOLITHIC ISLAND PLACEMENT

- USE TYPICAL SECTION NO. 1
- *-L1- Sta. 13+00.00 to Sta. 16+10.00
 - L1- Sta. 16+10.00 to Sta. 18+44.30
 - L2- Sta. 10+66.00 to Sta. 15+00.00
 - L3- Sta. 10+66.02 to Sta. 15+00.00



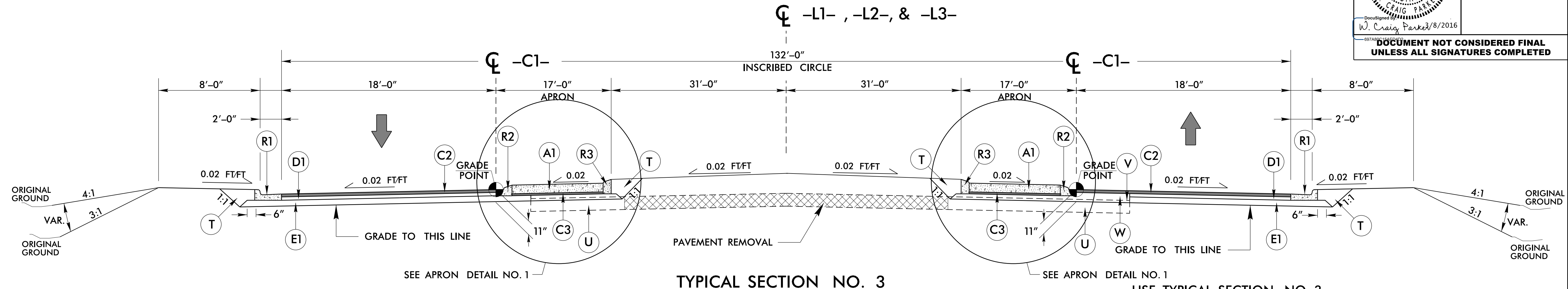
TYPICAL SECTION NO. 2

USE TYPICAL SECTION NO. 2
-SR1- Sta. 10+00.00 to Sta. 13+19.17

REVISIONS
 08-MAR-2016 10:55
 W:\000\491353\Division 3 Environmental\Outsourcing\Task Order 40 - River Road Roundabout\Roadway\Proj\W5203J_rdy_tjup.dgn
 491353\Division 3 Environmental\Outsourcing\Task Order 40 - River Road Roundabout\Roadway\Proj\W5203J_rdy_tjup.dgn

8/17/99
 REVISIONS
 08-MAR-2016 13:20
 C:\w\000\Projects\49353\Division 3 Environmental Outsourcing\Task Order 40 - River Road Roundabout\Roadway\Proj\W5203J_rdy_tup.dgn

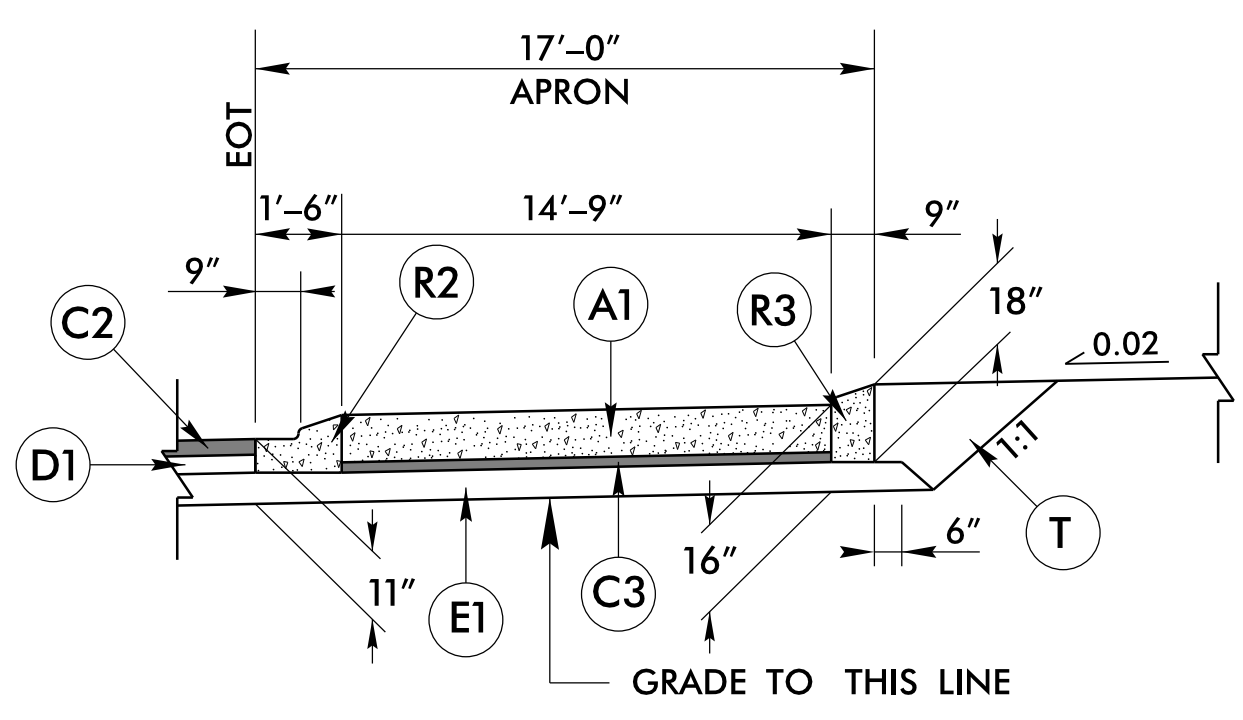
PROJECT REFERENCE NO. W-5203J	SHEET NO. 2A-2
RW SHEET NO.	
ROADWAY DESIGN ENGINEER	PAVEMENT DESIGN ENGINEER
W. Craig Parker 8/8/2016 DOCUMENT NOT CONSIDERED FINAL UNLESS ALL SIGNATURES COMPLETED	



USE TYPICAL SECTION NO. 3
 -L1- Sta. 18+44.30 to Sta. 19+10.30
 -L2- Sta. 10+00.00 to Sta. 10+66.00
 -L3- Sta. 10+00.00 to Sta. 10+66.02

PAVEMENT SCHEDULE	
A1	10" MOUNTABLE CONC. MEDIAN
C2	3" S9.5B
C3	2" S9.5B
D1	4" I19.0B
E1	4" B25.0B
R1	2'-6" C&G
R2	1'-6" C&G
R3	9"x18" CONC. CURB
R4	5" MONO. ISLAND
T	EARTH MATERIAL
U	EXISTING PAVEMENT
V	1 1/2" MILLING
W	WEDGING

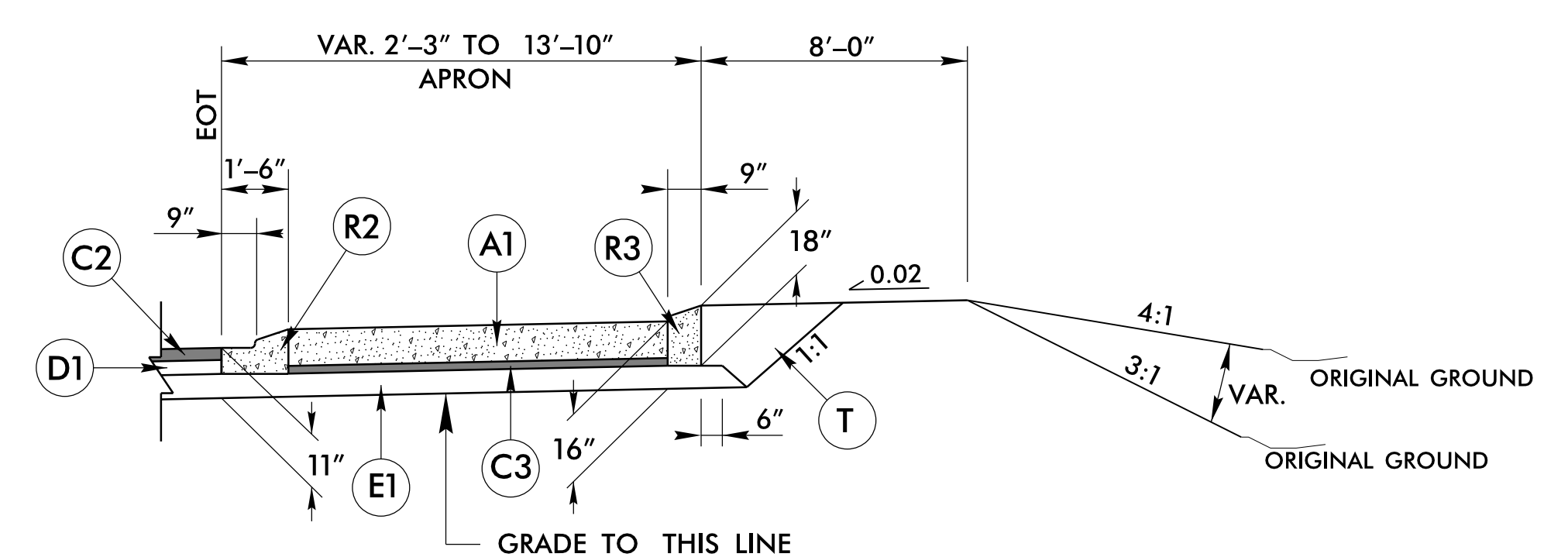
SEE SHEET 2A-1 FOR FULL PAVEMENT SCHEDULE & WEDGING DETAIL.



USE APRON DETAIL IN CONJUNCTION WITH TYPICAL SECTION NO. 3

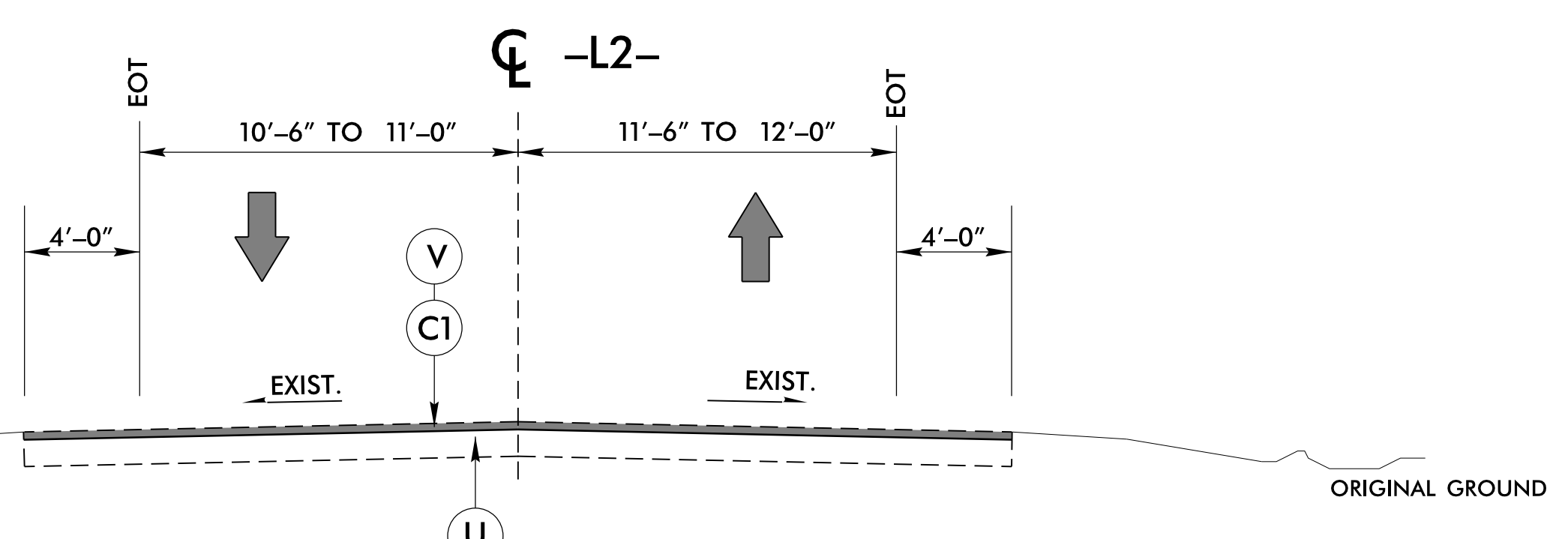
-C1- Sta. 10+00.00 to Sta. 13+01.59

NOTE: 1. PLACE 18" LONG #8 BARS AT 12" CENTERS BEGINNING 6" FROM LONGITUDINAL JOINT.
 2. PLACE 14" LONG #4 "J" BARS AT 36" CENTERS AT ALL LONGITUDINAL SLAB/CURB JOINTS.

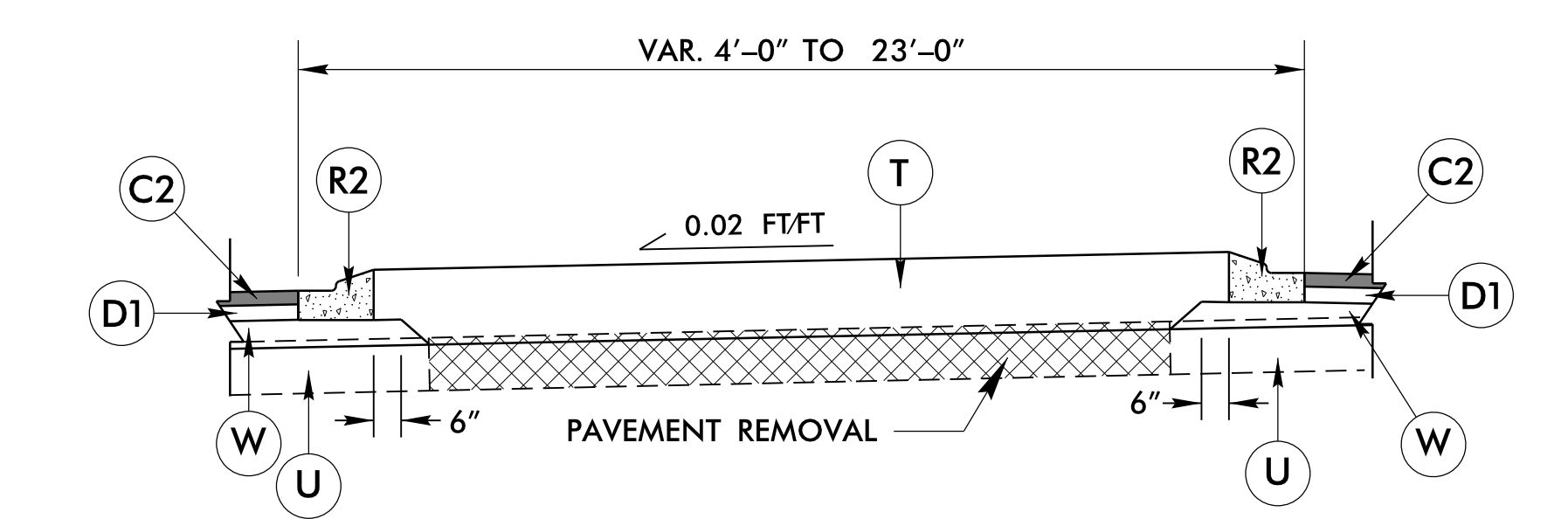


(SEE PLANS FOR LOCATION)

-L2- STA. 10+66.00 TO STA. 11+00 +/- RT
 -L3- STA. 10+66.02 TO STA. 10+98 +/- LT



MILLING AND RESURFACE EXISTING PAVEMENT PER TRAFFIC CONTROL PLANS
 -L2- STA 15+00.00 TO STA 17+00.00



(SEE PLANS FOR LOCATION)

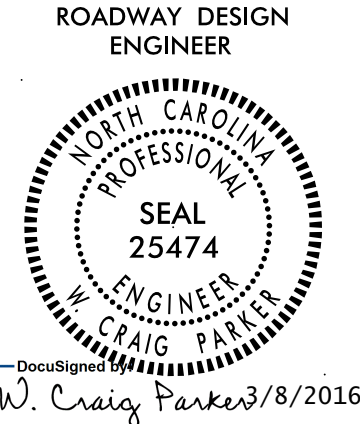
-L2- STA. 11+24.87 TO STA. 13+53.37
 -L3- STA. 11+21.43 TO STA. 13+24.21

5/14/99

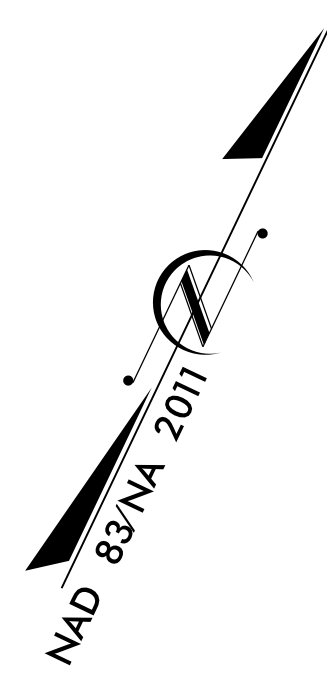
DETAIL SHEET INTERSECTION OF -L1-, -L2- AND -L3-

HNTB HNTB NORTH CAROLINA, P.C.
343 E. Six Forks Road, Suite 200
Raleigh, North Carolina 27609
NC License No: C-1554

PROJECT REFERENCE NO. W-5203J	SHEET NO. 2B-1
RW SHEET NO.	

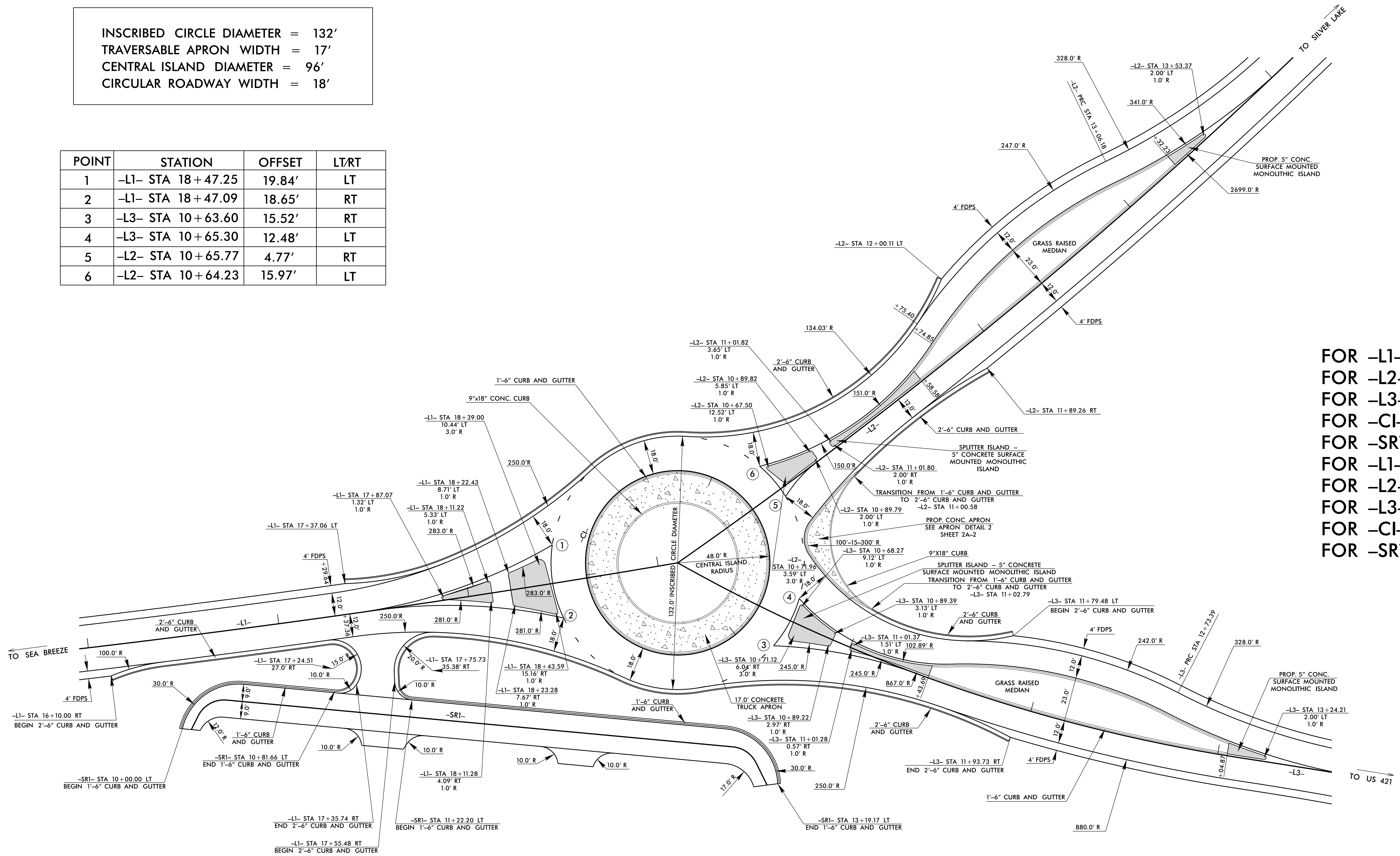


**DOCUMENT NOT CONSIDERED FINAL
UNLESS ALL SIGNATURES COMPLETED**



INSCRIBED CIRCLE DIAMETER = 132'
TRAVERSABLE APRON WIDTH = 17'
CENTRAL ISLAND DIAMETER = 96'
CIRCULAR ROADWAY WIDTH = 18'

POINT	STATION	OFFSET	LT/RT
1	-L1- STA 18+47.25	19.84'	LT
2	-L1- STA 18+47.09	18.65'	RT
3	-L3- STA 10+63.60	15.52'	RT
4	-L3- STA 10+65.30	12.48'	LT
5	-L2- STA 10+65.77	4.77'	RT
6	-L2- STA 10+64.23	15.97'	LT



FOR -L1- ALIGNMENT, SEE SHEET 4
FOR -L2- ALIGNMENT, SEE SHEET 4
FOR -L3- ALIGNMENT, SEE SHEET 4
FOR -CI- ALIGNMENT, SEE SHEET 4
FOR -SR1- ALIGNMENT, SEE SHEET 4
FOR -L1- PROFILE, SEE SHEET 5
FOR -L2- PROFILE, SEE SHEET 5
FOR -L3- PROFILE, SEE SHEET 6
FOR -CI- PROFILE, SEE SHEET 6
FOR -SR1- PROFILE, SEE SHEET 6

LEGEND

- 5" MONOLITHIC CONCRETE ISLAND
- 10" MOUNTABLE CONCRETE MEDIAN

08-MAR-2016 13:00:00 - River Road Roundabout\Roadway\Proj\W5203J_rdy_psh_2B-1.dgn